

# LifTech Lifters: The Safest Way To Provide Fast Mixer Mobility

No matter what your mixing application, there's a LifTech Lifter model to meet your mixer lifting needs.

## COMPLETELY CONTAINED:

All LifTech models need only a mixer and compressed air to be fully operational.

And, only LifTech Lifters have the following standard features:

- requires only 100 psig air for operation
- standard lifter needs no electricity
- eliminates manually moving mixer from one tank to another

## SAFE FOR HAZARDOUS AREAS:

LifTech Lifters are intrinsically safe and keep operators free from contact with mixed material.

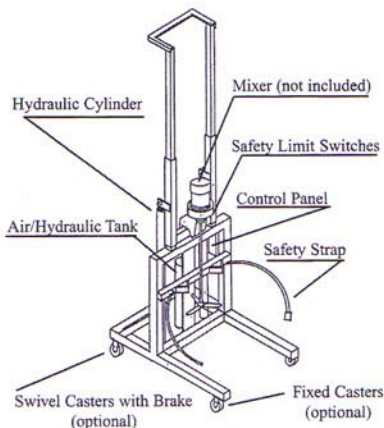
All LifTech Lifters come furnished with:

- dual hand controls for safety
- safety limit switches
- safety strap
- standard heavy-duty carbon steel construction suitable for industrial applications

## VARIETY OF OPTIONS:

- grounding lugs
- air or electrical power hydraulic operation
- industrial duty casters
- powder coating (enamel paint standard)
- stainless steel construction
- custom lift bracket for small dispensers
- extra wide base for use with material handling DOT containers
- electrically designed, explosion proof lifts
- lifts designed for large top-entry mixers

## Standard LifTech Lifter



## SPECIAL FEATURES:

- manual units available for smaller mixers
- easy accommodation of both clamp-on & fixed mounted mixers
- allows use of a single mixer for several mixing applications
- LifTech Lifter Model LT-36 handles 175 lb. mixers as standard
- most models can lift or lower mixer in approximately 5 seconds

International Marketing Technology Inc. reserves the right to make changes or improvements to its product without notice or obligation to make such changes to previously sold products. It is not intended that the specifications, pictures and descriptions contained in this publication constitute a warranty but are solely for illustrative purposes.

For more information on LifTech Lifters, please contact:

### **International Marketing Technology, Inc.**

P.O. Box 1579  
Roswell, GA 30077  
Telephone 404-386-1596  
FAX 770-642-9649

or